

# PINCH VALVE QV



Pinch valve with full passage for solid matterd wastewater, mud and similar media.

## TECHNICAL DATA

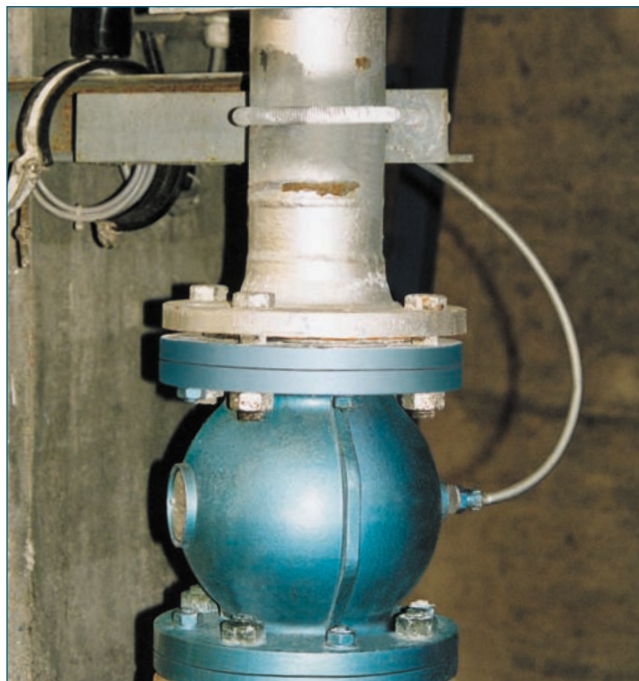
Nominal diameter:	1 1/2 in – 8 in
Face-to-face:	EBRO works standard
Flange accomodation:	DIN 2501 (PN 10)
Flange Surface Design:	DIN 2526, Form C-E
Temperature range:	-4 °F / 284 °F (depending on hose material)
Operating pressure:	75 psi
Differential pressure:	30 psi (control air pressure – operating pressure)
Body:	Aluminiumalloy
Seat:	Natural rubber EPDM (Ethylene propylene caoutchouc) FPM (Fluorocarbon caoutchouc)
Flanges:	Aluminiumalloy - Rubber coated - Rilsan coated

## FEATURES

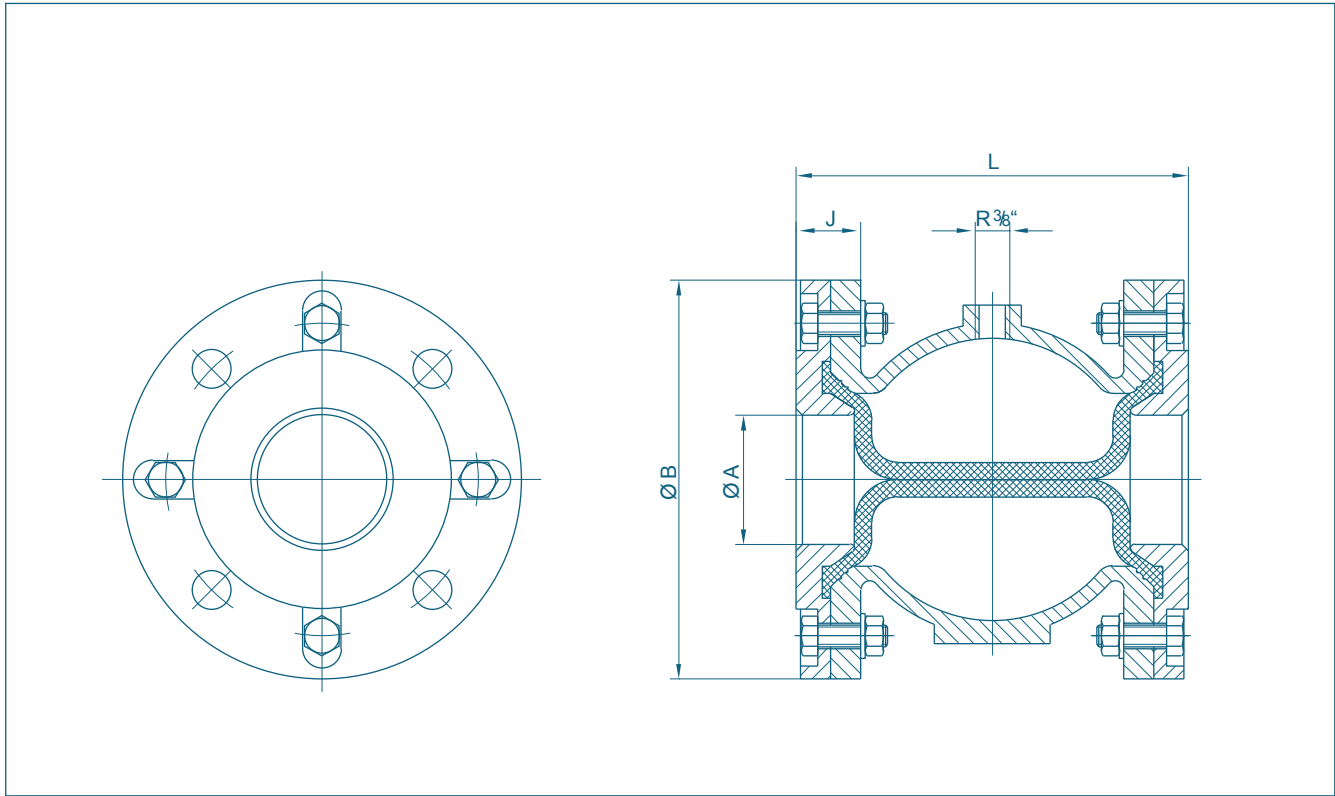
- Full passage, special suitability for mud, pulver, granulates
- Mounting of a solenoid valve enables electro-pneumatic operation
- Can be installed in any desired position

## GENERAL APPLICATIONS:

- Pneumatic Conveying Systems
- Solid matterd media



# PINCH VALVE QV



DN [mm]	Size [in]	Dimensions [in]				Weight [lb]
		A	B	J	L	
40	1 1/2	1.38	5.91	1.18	6.15	16
50	2	1.77	6.50	1.18	6.58	19
65	2 1/2	2.36	7.29	1.18	7.17	25
80	3	2.96	7.88	1.34	8.90	35
100	4	3.74	8.67	1.54	11.11	48
125	5	4.73	9.85	1.69	13.79	77
150	6	5.71	11.23	1.97	16.55	105
200	8	7.68	13.40	2.25	22.02	206

Subject to change without notice.