

# BUTTERFLY VALVE CK



Butterfly valve CK with worm gear.

## TECHNICAL DATA

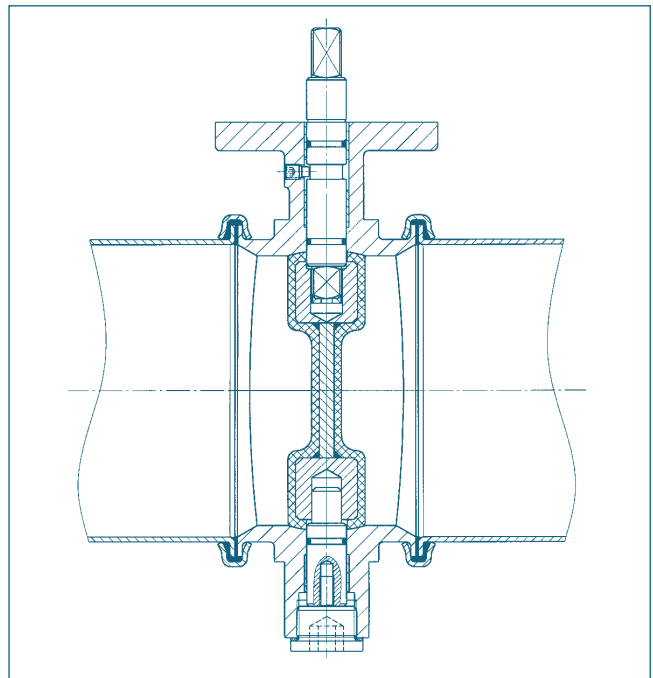
Nominal diameter:	3 in – 10 in
Face-to-face:	EBRO works standard
Top flange:	EN ISO 5211
Temperature range:	14 °F / 140 °F (depending on pressure and medium)
Operating pressure:	max. 44 psi
Body:	Aluminium
Disc:	Stainless Steel NBR (white) coated
Shaft:	Stainless Steel (AISI 316)

## FEATURES

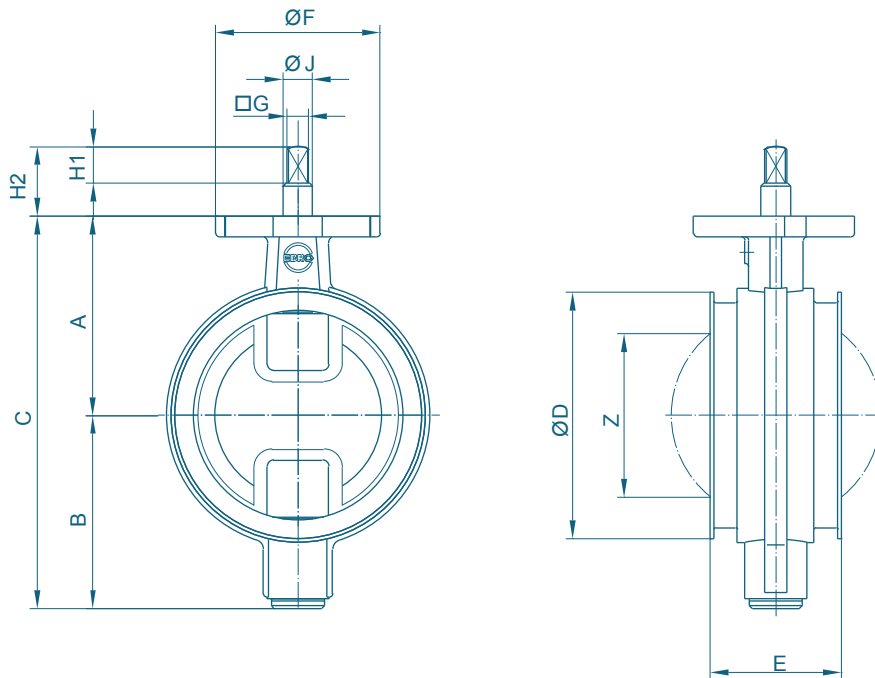
- Wafer pattern butterfly valve with centrally mounted disc
- Body with mutual bond for Clamp Ring Connection
- The inside contour is spherically machined.
- Through-going seal seat without any edges
- Low consumption
- Fast and easy dismantling
- Maintenance-free

## GENERAL APPLICATIONS

- Food industry
- Bulk goods



# BUTTERFLY VALVE CK



Butterfly valve CK with bare shaft end

DN [mm]	Size [in]	Dimensions [in]													Weight [lb]
		A	B	C	D	E	F	Flange	G	H1	H2	J	Z		
80	3	3.393	3.43	6.82	3.62	2.60	0.00	F05	0.39	0.63	1.18	0.47	1.30	2	
100	4	4.784	3.82	7.60	4.53	2.68	2.56	F05	0.39	0.63	1.18	0.47	2.60	3	
120	5	297.0	4.14	8.43	5.32	2.84	3.55	F07	0.47	0.79	1.50	0.63	3.51	4	
200	8	58.12	6.54	13.59	8.47	3.35	3.55	F07	0.63	0.79	1.50	0.79	6.90	13	
250	10		7.45	15.56	10.44	3.35	3.55	F07	0.63	0.79	1.50	0.79	9.06	17	

Subject to change without notice