

# PLASTIC BUTTERFLY VALVE K 016



Plastic butterfly valve type K 016 with Open/Close lever.

## TECHNICAL DATA

Nominal diameter:	1 1/4 in – 4 in with notch lever 1 1/4 in – 2 in with open/close lever
Face-to-face:	EBRO works standard
Tightness check:	DIN 3230 T3 BO, BN (Leakage Rate 1) ISO 5208, Category 3 API 598 Table 5 ANSI B 16-104, Class VI
Temperature range:	14 °F / 140 °F (depending on pressure and medium)
Operating pressure:	max. 90 psi
Differential pressure:	max. $\Delta p$ 90 psi
Body:	PVC
Disc:	Aluminium alloy Rubber coated
Shafts:	Stainless Steel

## FEATURES

- Shut-off valve with adhesive sockets for mounting in PVC pipe systems
- The center part can be removed during maintenance work.
- Can be installed in any desired position.
- Can be disassembled, material-specific recycling possible.

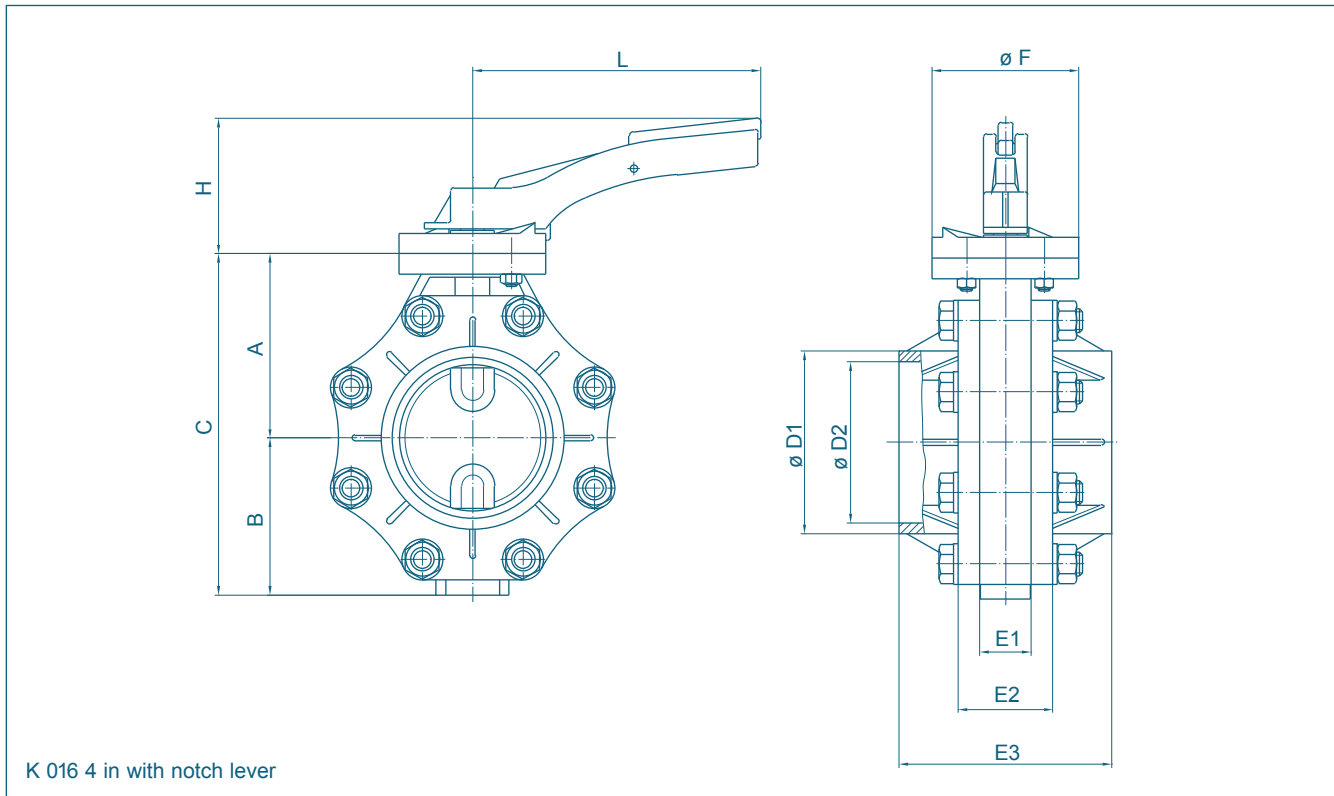
## GENERAL APPLICATIONS

- Swimming pool technology
- PVC piping



Plastic butterfly valve type K 016 with notch lever

# PLASTIC BUTTERFLY VALVE K 016



DN [mm]	Size [in]	Dimensions [in]										Weight [lb]	
		A	B	C	D1	D2	E1	E2	E3	F	H		
32	1¼	2.56	1.93	4.49	2.13	1.58	1.18	2.36	5.52	3.94	7.68	3.74	2
40	1½	2.56	1.93	4.49	2.52	1.97	1.18	2.36	5.52	3.94	7.68	3.74	2
50	2	2.56	1.93	4.49	3.03	2.48	1.18	2.36	5.52	3.94	7.68	3.74	2
65	2½	3.05	2.42	5.48	3.55	2.96	1.38	2.56	5.71	3.94	7.68	3.74	4
80	3	3.05	2.42	5.48	4.14	3.55	1.38	2.56	5.71	3.94	7.68	3.74	4
100	4	4.96	3.82	9.18	4.93	4.33	1.38	2.56	5.71	3.94	7.68	3.74	8

Subject to change without notice.