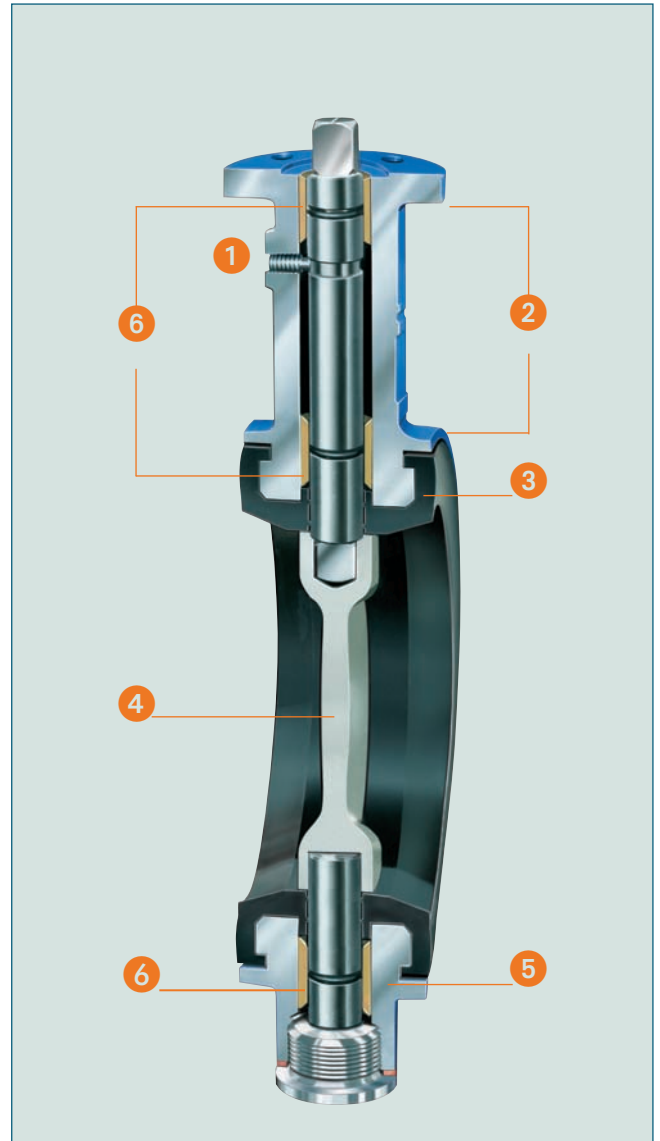


FEATURES & BENEFITS

RESILIENT SEATED VALVES

SUMMARY OF THE PRODUCT ADVANTAGES

- 1 The shaft safety device prevents inadvertent shaft removal when fitting actuators or undertaking maintenance procedures.
- 2 Extended neck allows for piping insulation.
- 3 EBRO'S unique Location Lock Liner design secures the liner in the valve body to prevent unwanted lateral movement during operation and installation. The liner extends into the upper and lower stem journals to provide added protection against leakage in these areas.
- 4 The sealing surface of the slim profile disc is mirror polished to provide tight shutoff and longer life. Our internal square and hexagon disc-to-stem connections eliminate pins & keys found in competitive designs.
- 5 The valve body is precision machined in order to secure and accurately position the replaceable liner to ensure minimal operational wear and extend reliable service life. Body is dry powder epoxy coated for external corrosion protection.
- 6 Two radial bearings located immediately above & below the disc prevent disc deflection caused by line pressure, while a third radial bearing is located immediately below the mounting flange to prevent possible side loading from actuators.



- 1 EBRO's Location Lock Liner is molded into entire circumference of the liner to engage with a corresponding recess in the valve body, thus assuring the exact position of the liner. This secure design results in lower torques and longer life.
- 2 Liner is secured to body flange connections by means of lug profile that matches machined recess in body.
- 3 Liner extends into the stem journals to provide a third stem seal. Valves 10" and larger have vulcanized metal support ring.
- 4 The end connection sealing faces of the Location Lock Liner have a convex form. This creates a controlled deformation of the volume of the liner when clamping between flanges, restricting any increase in operating torque and eliminating damage to or destruction of the elastomer.

